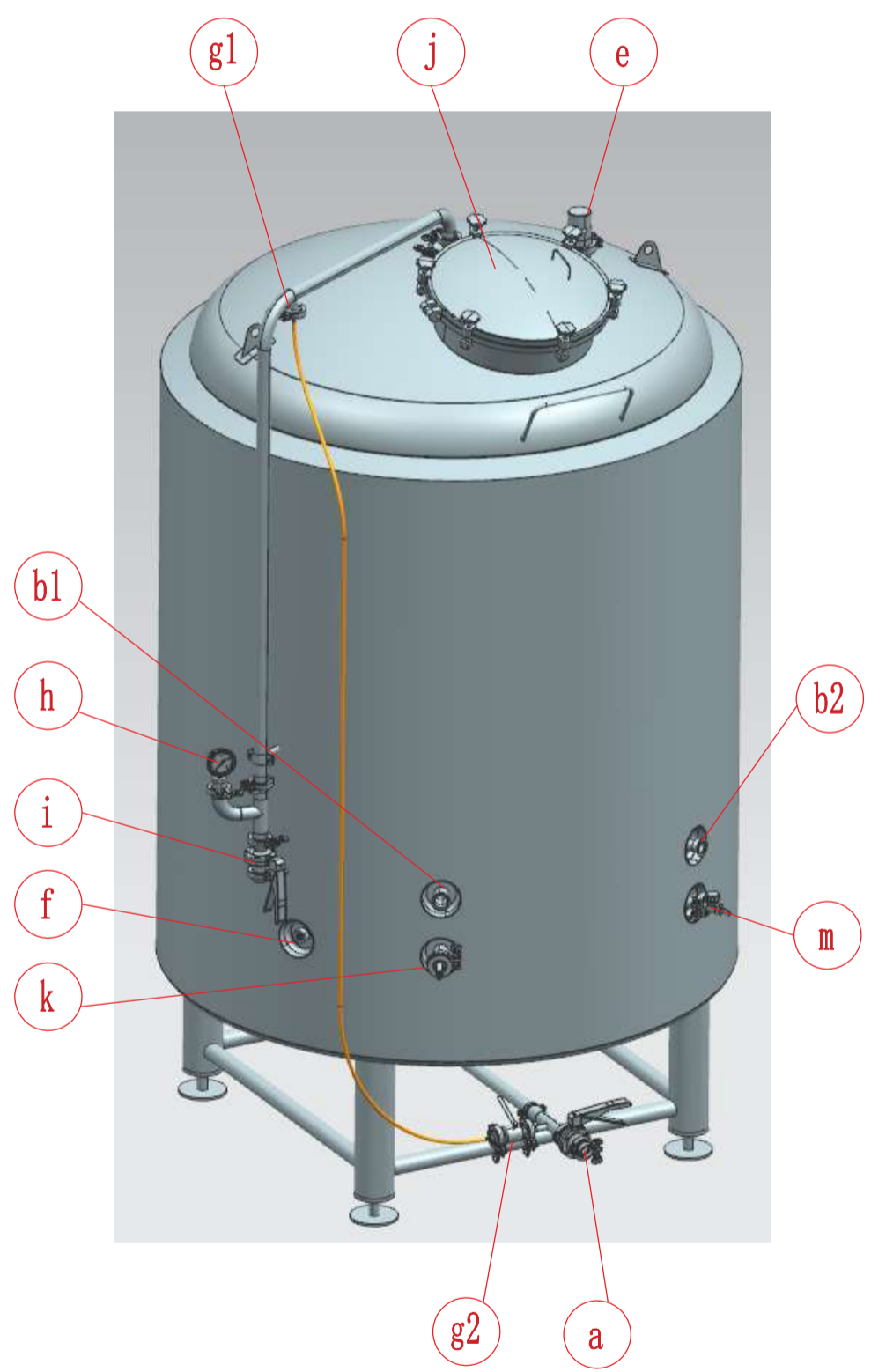
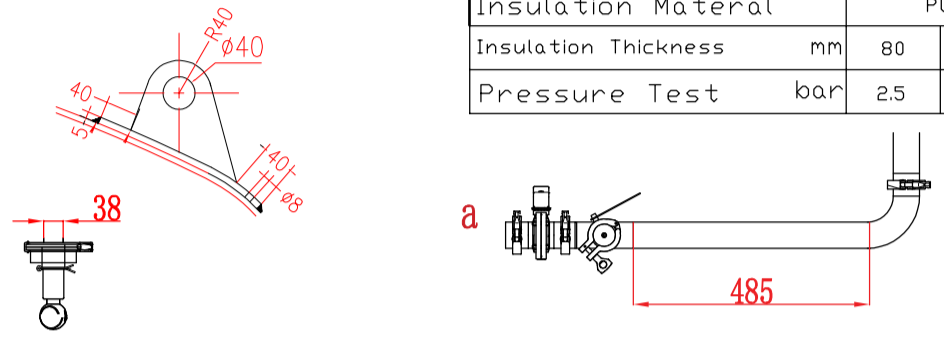


TABLE					Design Data Sheet		
No.	Name	Connect Size	Connect Type	Remarks		Vessel	Jacket
a	Drain	Ø38	TC		Working Pressure bar	0-2bar	0-1.5bar
b	for spare	Ø38	TC		Design Pressure	0-2.5bar	0-6bar
c	Glycol outlet	NPT1	NPT Female		Working Temperature °C	-5~100 °C	
d	Glycol inlet	NPT1	NPT Female		Design Temperature °C	-10~-110 °C	
e	PVRV	Ø63	TC		Medium	Beer	Glycol
f	Tem-sensor	NPT1/2	NPT Female		Medium Density Kg/m3		
g1/g2	Level gauge	Ø12	TC		Material	304	304
h	Pre-gauge	Ø38	TC		Gross Volume L	2897	
i	Cip inlet	Ø38	TC		Net Volume BBL	20	
j	Manhole	Ø430			Reserved Capacity	19.2%	
k	Carb stone	Ø38	TC		PVRV Act Pressure bar	0-2	
m	Sample valve	Ø38	TC		Heat Exchange Area m2	2.36	
Insulation Material						PU	
Insulation Thickness mm						80	
Pressure Test bar						2.5	6



	PRODUCT	20BBL Jacket Brite Tank	
MATERIAL	SUS304	wall thickness	Inner vessel:3mm, Jacket:1.5mm, Cladding 2mm
DATE	2022. 05. 02		